



Main

Range of product	Modicon M238 logic controller
Product or component type	Discrete output module
Discrete output number	16
Discrete output type	Transistor
Discrete output voltage	24 V
Discrete output logic	Source
Discrete output current	0.4 A

Complementary

Range compatibility	Advantys OTB Twido
Output voltage limits	20.4...28.8 V
Current per channel	0.48 A
Current per output common	2 A
Number of common point	1
Response time	450 µs from state 0 to state 1 450 µs from state 1 to state 0
[Ures] residual voltage	<= 1 V at state 1
Leakage current	0.1 mA
Inductive load	<= 10 mH
Tungsten load	<= 9.6 W
Short-circuit protection	With automatic reactivaton
Overload protection	With automatic reactivaton
Isolation between channels	None
Isolation between channels and internal logic	500 V for 1 minute
Current consumption	15 mA 5 V DC at state 1 for all output 20 mA 24 V DC at state 1 for all output
Local signalling	2 display blocks
Electrical connection	1 connector HE10
Mounting support	35 mm symmetrical DIN rail
Product weight	0.15 lb(US) (0.07 kg)

Environment

depth	3.2 in (81.3 mm)
height	3.54 in (90 mm)
width	0.84 in (21.4 mm)

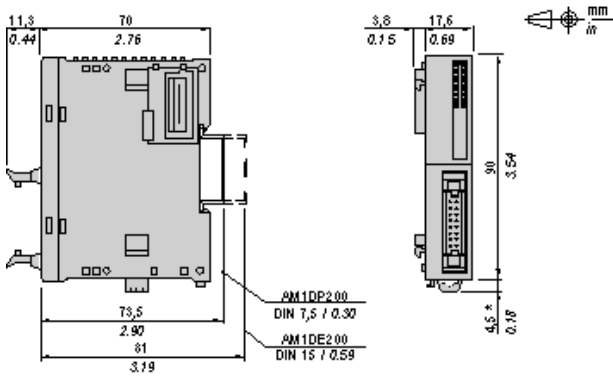
Offer Sustainability

Green Premium product	Green Premium product
Compliant - since 1039 - Schneider Electric declaration of conformity	Compliant - since 1039 - Schneider Electric declaration of conformity
Reference not containing SVHC above the threshold	Reference not containing SVHC above the threshold
Available	Available
Available	Available

The information provided in this documentation contains general descriptions and/or technical characteristics of the products contained herein. This documentation is not intended as a substitute for and is not to be used for determining suitability or reliability of these products for specific user applications. It is the duty of any such user or integrator to perform the appropriate and complete risk analysis, evaluation and testing of the products with respect to the relevant specific application or use thereof. Neither Schneider Electric Industries SAS nor any of its affiliates or subsidiaries shall be responsible or liable for misuse of the information contained herein.

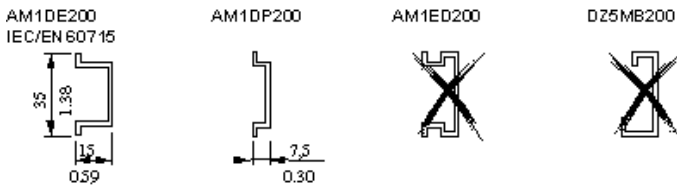
Digital Transistor Output Module (16-channel, Source)

Dimensions



NOTE: * 8.5 mm (0.33 in) when the clamp is pulled out.

DIN Rail Mounting

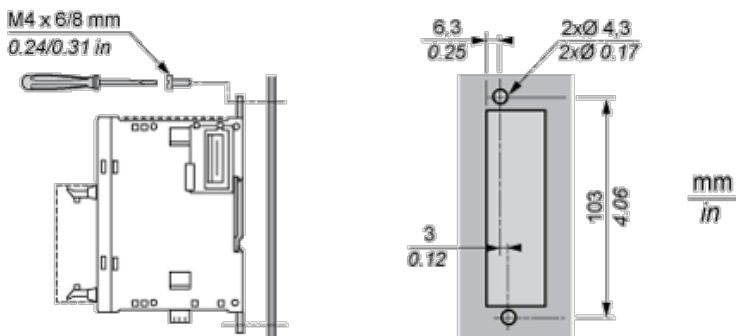


Rail depth	Catalogue part number
15 mm (0.59 in.)	AM1DE200
7,5 mm (0.30 in.)	AM1DP200

NOTE: Do not use AM1ED200 and DZ5MB200

Module Mounting on a Panel Surface

Mounting Hole Layout



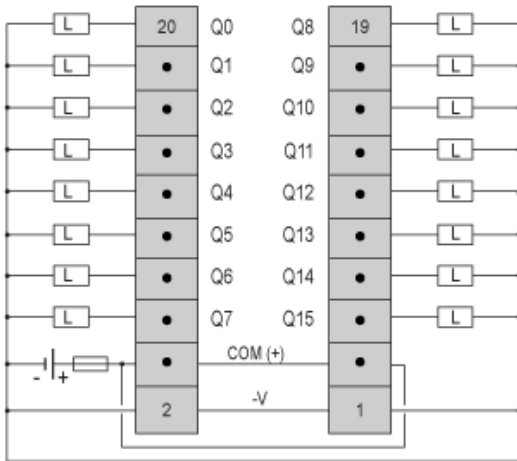
Wiring Requirements

Cable Types and Wire Sizes for Removable Screw Terminal Block

9 0.35 mm in.							
mm ²	0,14...1,5	0,25...0,5	0,25...1,5	0,14...0,5	0,14...0,75	0,25...0,34	0,5
AWG	26...16	24...20	24...16	26...20	26...18	24...22	20

Digital Transistor Output Module (16-channel, Source)

Wiring Diagram



L Load

Fuse value for the load: 0.4 A

Fuse value for the power supply: 2 A