

Product availability : Stock - Normally stocked in distribution facility

Price* : 389.00 USD



Main

| | |
|-------------------------------|---------------------------------------|
| Range of product | Modicon TSX Micro automation platform |
| Product or component type | Relay discrete output module |
| Discrete output number | 8 screw terminal block |
| Contacts type and composition | NO |

Complementary

| | |
|---|---|
| Output voltage limits | 19...264 V AC 10...34 V DC |
| [Ith] conventional free air thermal current | 3 A |
| Power consumption in VA | 50 VA 24 V AC-12 resistive 110 VA 48 V AC-12 resistive 220 VA 110 V AC-12 resistive 220 VA 220 V AC-12 resistive 24 VA 24 V AC-15 inductive 24 VA 48 V AC-15 inductive 220 VA 220 V AC-15 inductive 110 VA 110 V AC-15 inductive |
| Power consumption in W | 24 V DC-12 resistive 24 V DC-13 inductive |
| Response time | < 10 ms |
| Current consumption | 85 mA |
| Power dissipation in W | 1.5 W |
| Isolation voltage | 1500 V 1 s |
| Insulation resistance | >= 10 mOhm |

Ordering and shipping details

| | |
|-------------------|---------------------------------------|
| Category | 22556 - TSX MICRO, PL7 MICRO & ACCESS |
| Discount Schedule | PC14 |
| GTIN | 00785901540496 |

| | |
|-----------------------|--------------------|
| Nbr. of units in pkg. | 1 |
| Package weight(Lbs) | 0.7900000000000004 |
| Returnability | N |
| Country of origin | FR |

Offer Sustainability

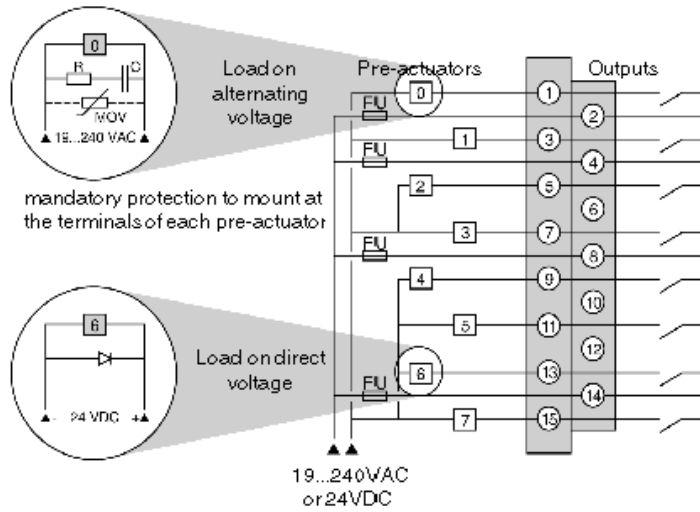
| | |
|--------------------------|--|
| Sustainable offer status | Not Green Premium product |
| RoHS (date code: YYWW) | Will not be compliant Will not be compliant |

Contractual warranty

| | |
|-----------------|-----------|
| Warranty period | 18 months |
|-----------------|-----------|

Pre-Actuators/Outputs Connections

Wiring Diagram



FU = Fast blow fuses to be calibrated according to the load.