



### Commercial status

End of Commercialisation :

⚠ End of Commercialisation

### Main

Range of product	Modicon Premium Automation platform
Product or component type	Discrete output module
Discrete output number	8
Discrete output type	Triac protected
Discrete output voltage	48...240 V AC conforming to EN/IEC 61131-2 41...264 V

### Complementary

Current per channel	2 A
Maximum current per module	12 A
Response time	< 10 ms (activation) < 10 ms (deactivation)
Output overvoltage protection	Ge-Mov
Output overload protection	5 A, integrated fuse fast blow
Short-circuit protection	5 A, integrated fuse fast blow
Insulation resistance	> 10 MOhm 500 V
Power dissipation	(0.5 W + 1 W x No of outputs x current per module)
Marking	CE
Electrical connection	Screw terminal block
Current consumption	125 mA at 5 V DC
Module format	Standard
Net weight	0.34 Kg

The information provided in this documentation contains general descriptions and/or technical characteristics of the performance of the products contained herein. This documentation is not intended as a substitute for and is not to be used for determining suitability or reliability of these products for specific user applications. It is the duty of any such user or integrator to perform the appropriate and complete risk analysis, evaluation and testing of the products with respect to the relevant specific application or use thereof. Neither Schneider Electric Industries SAS nor any of its affiliates or subsidiaries shall be responsible or liable for misuse of the information contained herein.

## Environment

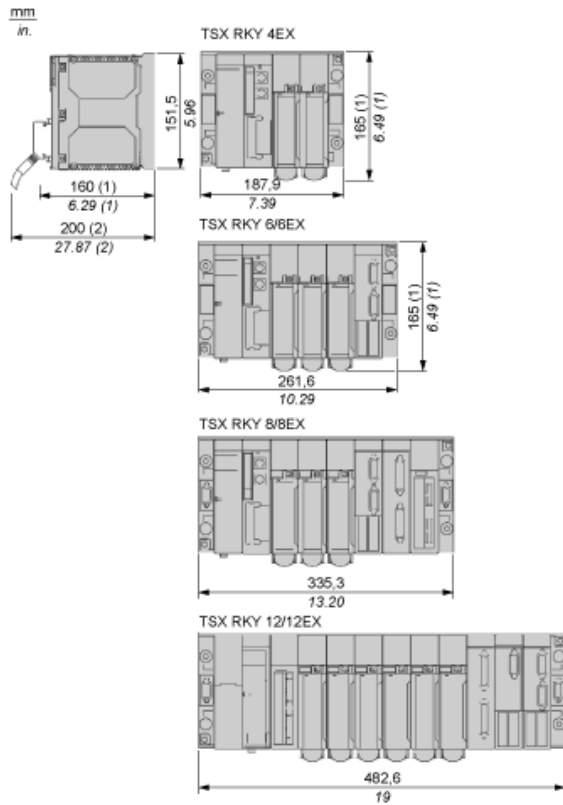
Dielectric strength	2000 V 50/60 Hz 60 s
Standards	CSA C22.2 No 142 93/68/EEC CSA C22.2 No 213 Class I Division 2 Group A 89/336/EEC UL 508 CSA C22.2 No 213 Class I Division 2 Group D 73/23/EEC 92/31/EEC CSA C22.2 No 213 Class I Division 2 Group B CSA C22.2 No 213 Class I Division 2 Group C IEC 61131-2
Product certifications	BV RMRS DNV RINA LR GL ABS
Ambient air temperature for operation	0...60 °C
Ambient air temperature for storage	-25...70 °C
Relative humidity	10...95 % without condensation for operation 5...95 % without condensation for storage
Operating altitude	0...2000 m
Protective treatment	TC
IP degree of protection	IP20
Pollution degree	2

## Contractual warranty

Warranty	18 months
----------	-----------

Standard and Extendable Racks for Modules Mounting

Dimensions of Modules and Racks

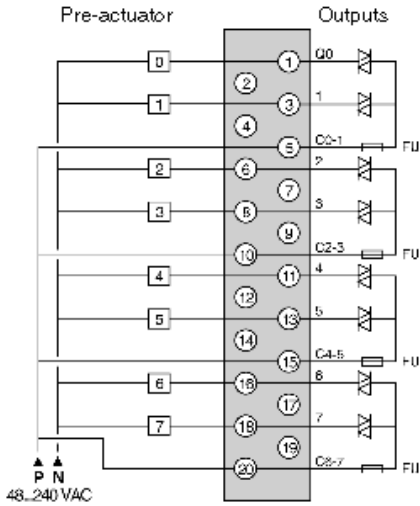


(1) With screw terminal block modules.

(2) Maximum depth for all types of modules and their associated connectors.

Discrete Bidirectional Triode Thyristor Output 8-Channel Module

Wiring Diagram



FU Ultra-quick blow interchangeable 5 A fuse

Product Life Status : **Post commercialisation**

TSXDSY08S5 may be replaced by any of the following products:



**BMXDAO1605**  
discrete output module X80 - 16 outputs - triac - 100..240 V AC  
Qty 1  
Reason for Substitution: End of life | Substitution date: 10 Apr 2017 |



**BMXDAO1605**  
discrete output module X80 - 16 outputs - triac - 100..240 V AC  
Qty 1  
Reason for Substitution: End of life | Substitution date: 30 Jun 2018 |



**BMXDAO1605**  
discrete output module X80 - 16 outputs - triac - 100..240 V AC  
Qty 1  
Reason for Substitution: End of life | Substitution date: 31 Dec 2018 | Not same dimensions/design - 0.6A, 100...240VAC vs. Premium 2A, 48...240VAC



**BMXDAO1605**  
discrete output module X80 - 16 outputs - triac - 100..240 V AC  
Qty 1  
Reason for Substitution: End of life | Substitution date: 31 Dec 2018 | Not same dimensions/design - 0.6A, 100...240VAC vs. Premium 2A, 48...240VAC



**BMXDAO1605**  
discrete output module X80 - 16 outputs - triac - 100..240 V AC  
Qty 1  
Reason for Substitution: End of life | Substitution date: 31 Dec 2018 |