

AEG AS-S908-110

Remote I/O Processor Module



\$155.00

In Stock

Qty Available: 1

Used and in Excellent Condition

Open Web Page

<https://www.artisanng.com/79310-1>



Your **definitive** source
for quality pre-owned
equipment.

Artisan Technology Group

(217) 352-9330 | sales@artisanng.com | artisanng.com

All trademarks, brandnames, and brands appearing herein are the property of their respective owners.

- Critical and expedited services
- In stock / Ready-to-ship
- We buy your excess, underutilized, and idle equipment
- Full-service, independent repair center

Artisan Scientific Corporation dba Artisan Technology Group is not an affiliate, representative, or authorized distributor for any manufacturer listed herein.

Remote I/O Processor

The S908 Remote I/O Processor is used by the 984-680/685 to communicate with its remote I/O interface modules. The 984-680/685 communicates with one local I/O drop and either six or 31 drops of remote I/O, depending on the cartridge used. The S908 is available for both single and dual-cable operation.

The RIOP cartridges include:

Executive Cartridge for 6 drops, Part # AS-E908-006

Executive Cartridge for 31 drops, Part # AS-E908-031

Figure 2-13 S908-110 Single Cable Remote I/O Processor

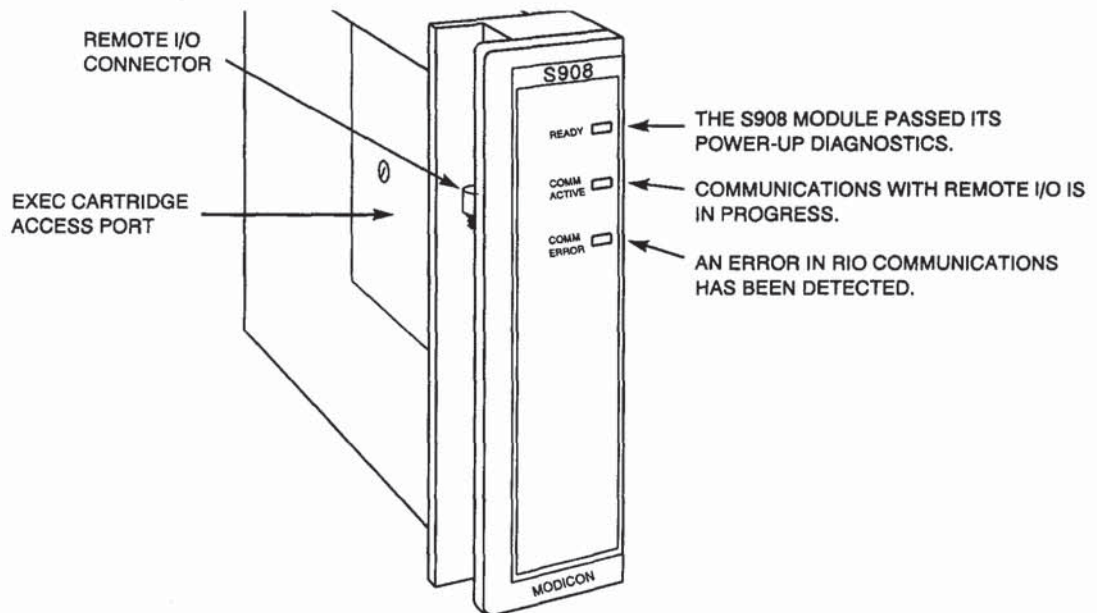
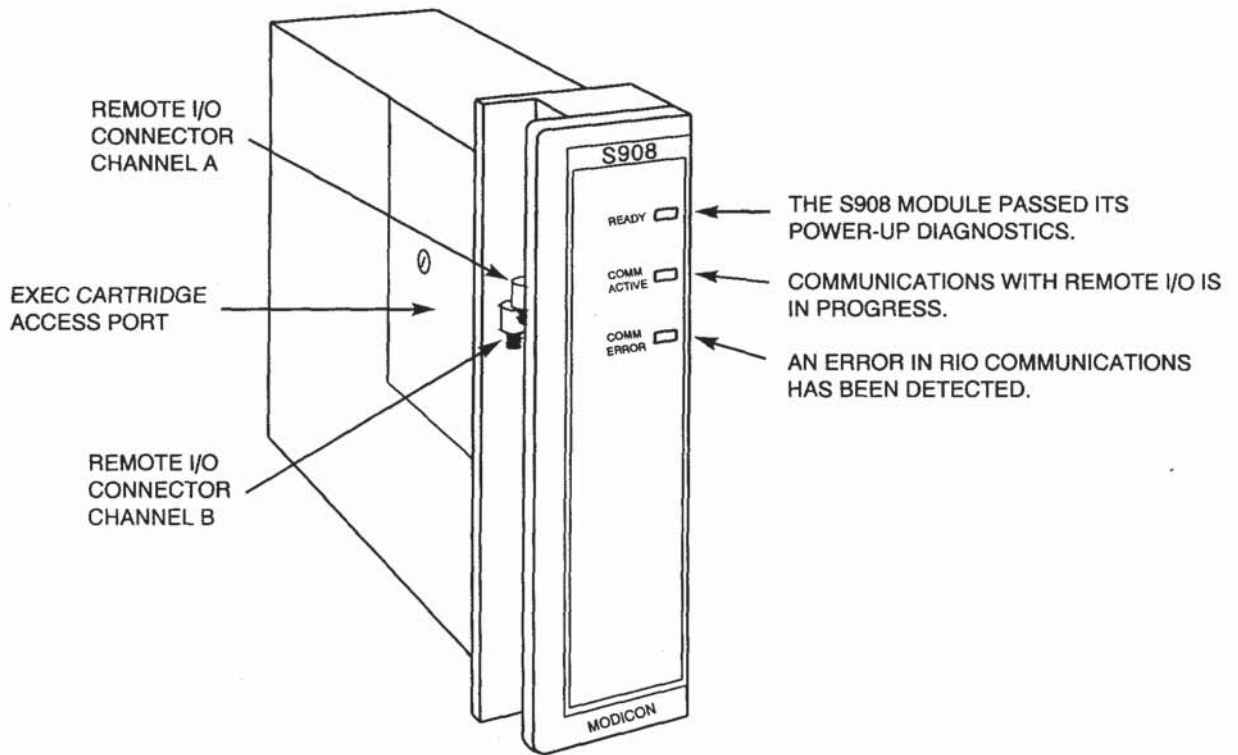


Figure 2-14 S908-120 Dual Cable Remote I/O Processor



The S908-120 may be used for either dual or redundant cabling configurations, depending on the model of remote interface used at each drop. See the chapter entitled "System Level Cabling, Configuration, and Planning".

Artisan Technology Group is an independent supplier of quality pre-owned equipment

Gold-standard solutions

Extend the life of your critical industrial, commercial, and military systems with our superior service and support.

We buy equipment

Planning to upgrade your current equipment? Have surplus equipment taking up shelf space? We'll give it a new home.

Learn more!

Visit us at artisanng.com for more info on price quotes, drivers, technical specifications, manuals, and documentation.

Artisan Scientific Corporation dba Artisan Technology Group is not an affiliate, representative, or authorized distributor for any manufacturer listed herein.

We're here to make your life easier. How can we help you today?

(217) 352-9330 | sales@artisanng.com | artisanng.com

