

Bently Nevada 81546-01

XDCR I/O and Record Terminals / Dual Hermetic Relays Module



\$125.00

In Stock

Qty Available: 5+

Used and in Excellent Condition

Open Web Page

<https://www.artisanTG.com/69572-45>

All trademarks, brandnames, and brands appearing herein are the property of their respective owners.



Your **definitive** source
for quality pre-owned
equipment.

Artisan Technology Group

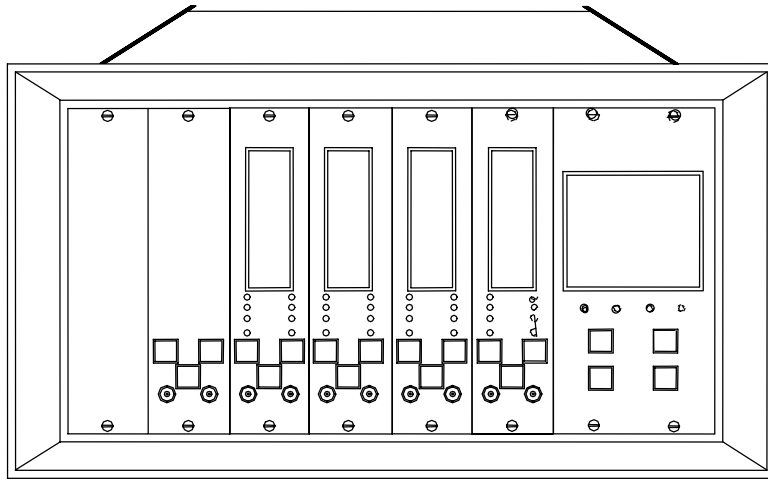
(217) 352-9330 | sales@artisanTG.com | artisanTG.com

- Critical and expedited services
- In stock / Ready-to-ship
- We buy your excess, underutilized, and idle equipment
- Full-service, independent repair center

Artisan Scientific Corporation dba Artisan Technology Group is not an affiliate, representative, or authorized distributor for any manufacturer listed herein.

Operation Manual

Bently Nevada™ Asset Condition Monitoring



3300 System Compatibility Guide



Part Number 104003-01
Rev. G (08/07)

**Copyright © 1993. Bently Nevada LLC.
All rights reserved.**

The information contained in this document is subject to change without notice.

The following are trademarks of General Electric Company in the United States and other countries:

Bently Nevada, Data Manager, Key Ø, Keyphasor, System 1, TDXnet, Transient Data Manager

The following are trademarks of the legal entities cited:

Allen-Bradley® is a trademark of Rockwell Automation.

MODBUS™ is a trademark of Schneider Electric.

Contact Information

The following ways of contacting Bently Nevada are provided for those times when you cannot contact your local representative:

Mailing Address	1631 Bently Parkway South Minden, Nevada USA 89423 USA
Telephone	1.775.782.3611 1.800.227.5514
Fax	1.775.215.2873
Internet	www.ge-energy.com/bently

Additional Information

Notice:

This manual does not contain all the information required to operate and maintain the product. Refer to the following manuals for other required information.

3300 System Overview (Part Number 80171-01)

3300 System Installation Instructions (Part Number 80172-01)

3300 System Troubleshooting (Part Number 80173-01)

3300/12 AC Power Supply (Part Number 89602-01)

3300/14 DC Power Supply,(Part Number 101256-01)

3300/02 TDe System Monitor (Part Number 167388-01)

3300/03 SDI/DDI System Monitor (Part Number 89604-01)

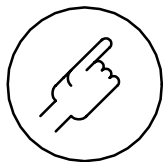
3300 Internal Barrier Manual (Part Number 88837-01)

Product Disposal Statement

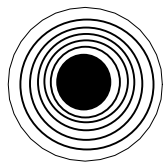
Customers and third parties, who are not member states of the European Union, who are in control of the product at the end of its life or at the end of its use, are solely responsible for the proper disposal of the product. No person, firm, corporation, association or agency that is in control of product shall dispose of it in a manner that is in violation of any applicable federal, state, local or international law. Bently Nevada LLC is not responsible for the disposal of the product at the end of its life or at the end of its use.

SYMBOLS

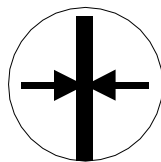
Special symbols are used in the manual to illustrate specifics in the step-by-step processes. For example:



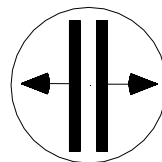
Press



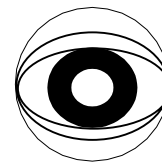
Flashing



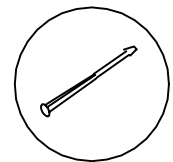
Connect



Disconnect



Observe



Screwdriver

Contents

1. Purpose	1
2. System Identification	4
2.1 Configuration Definitions	4
2.1.1 Original System	4
2.1.2 Mixed System	4
2.1.3 SDI/DDI System	4
2.1.4 TDe System	5
2.2 System Identification	6
2.2.1 Original System	7
2.2.2 Mixed System	8
2.2.3 SDI/DDI or TDe System	9
2.3 Rack Identification	10
2.3.1 Original Backplane	11
2.3.2 SDI/DDI or TDe Backplane	12
2.4 Monitor Firmware Identification	13
3. System Compatibility	16
3.1 Mixed System Compatibility Issues	16
3.2 Additional Compatibility Issues	16
3.2.1 Monitors	16
3.2.2 Communications Processors	16
3.3 Communication Processor and Software Compatibility	17
4. Appendix A	18
4.1 Hardware Upgrade Kit Part Numbers	18
5. Appendix B	19
5.1 Firmware Upgrade Kit Part Numbers	19

1. Purpose

Since the original design of the 3300 monitoring system, the Serial Data Interface/Dynamic Data Interface (SDI/DDI) communication protocols have been added. As a result, there are now three different 3300 configurations in the field: Original, Mixed, and SDI/DDI configurations. The purpose of this Compatibility Guide is to assist field personnel with the identification of each configuration and to explain the differences between these configurations. This document is not intended to be an upgrade guide to change from one configuration to another.

The 3300 system has been enhanced to upgrade the computer/communications interface options. The 3300/03 SDI/DDI communication protocols were released in April 1992 with external SDIX/DDIX, TDIX and TDXnet™ communication processors released in August 1992, July 1993 and December 1997, respectively. The internal Transient Data enabled (TDe) communications processor was released in July 2004. 3300 components that have been changed to implement these interface options are the System Monitor, AC and DC Power Supply, Rack Backplane, and individual monitor firmware. 3300 systems that consist of **all** the upgraded components are referred to as an SDI/DDI system or TDe system. The SDI/DDI system uses the 3300/03 System Monitor and the TDe system uses the 3300/02 System Monitor.

The information in this guide is divided into these two sections:

Section 2, System Identification, lists the four configurations of the 3300 Monitoring System which are authorized by Bently Nevada LLC and shows how to identify each one. Identifying your system will help you make decisions about replacement parts and computer/communications interfaces.

Section 3, System Compatibility, describes the compatibility between 3300 systems, communication interfaces, and monitoring and diagnostic software.

Table 1 on the following page shows some definitions and explanations for the part numbers and abbreviations used in this guide.

Table 1
3300 System Part Numbers and Definitions

Part Number/ Abbreviation	Description	Function
3300/01-01	Original Version of Basic System Monitor.	Basic service to the rack including setpoint adjust, reset, OK relay, and system Keyphasor® signals.
3300/01-02	Serial Interface System Monitor.	All of the functions of the 3300/01-01 plus serial communications interface using Allen-Bradley® or Modicon Modbus® communication protocol.
3300/02	Transient Data enabled (TDe) System Monitor	All of the functions of the 3300/01-01 system monitor plus the functions of a TDXnet™ CP.
3300/03-01	Enhanced Version of the Basic System Monitor.	All of the functions of the 3300/01-01 system monitor. Can be upgraded to a Serial Data Interface or Dynamic Data Interface System Monitor.
3300/03-02	Serial Data Interface (SDI) System Monitor.	All of the functions of the 3300/01-02 plus enhanced serial communications capability. Can be upgraded to a Dynamic Data Interface System Monitor
3300/03-03	Dynamic Data Interface (DDI) System Monitor.	All of the 3300/03-02 functions plus the functions of a Dynamic Data Manager® Communications Processor with added features.
PIM	Power Input Module	Located behind the Power Supply and System Monitor on a 3300 rack. This module contains the Input/Output connections for computer/communication interfaces, system functions and rack power.
DDM CP	Dynamic Data Manager® Communications Processor.	Acquires steady state dynamic and static data from a monitor rack and provides temporary data storage and communications to a Bently Nevada host computer.
TDM CP	Transient Data Manager® Communications Processor.	Provides all of the functions of a DDM CP plus acquires transient (start-up/coast-down) dynamic and static data from a monitor rack and provides temporary data storage and communications to a Bently Nevada host computer.
PDM CP	Process Data Manager® Communications Processor.	Acquires process variable data, provides temporary storage and communicates to a Bently Nevada host computer.
SDIX/DDIX CP	External Serial Data Interface/Dynamic Data Interface Communications Processor.	An externally housed communications module designed for use with a 3300/03-01 System Monitor in an original 3300 system. Provides the same communications interface functions as a 3300/03-02 or 3300/03-03 System Monitor.
TDIX CP	Transient Data Interface/Serial Data Interface Communications Processor.	External communications module that provides all of the functions of the TDM and SDI/DDI, plus additional features.
TDXnet™ CP	External Transient Data Interface/Serial Data Interface Communications Processor.	External communications module that provides all of the functions of the TDIX plus ethernet communication capabilities.
System 64 Software	A computer-based online monitoring and diagnostic system.	Communicates with up to 64 monitor racks using DDM CP interfaces to the racks.

Part Number/ Abbreviation	Description	Function
DDM/TDM Software	Monitoring and diagnostic software package.	Applications software for online monitoring and diagnostics. Interfaces to monitor systems through either a DDM or TDM CP and to process variable measurements through a PDM CP.
DDM2/TDM2 Software	Monitoring and diagnostic software package.	Second generation of the DDM/TDM software. Interfaces to DDI, DDIX and TDIX in addition to all the communication processors which the original DDM/TDM software worked with.
Data Manager® 2000 Software	Computer on-line monitoring software package.	Software package that operates on Bently Nevada host. Interfaces to a SDI(X)/DDI(X), TDIX, or TDxnet™ CP.
System 1® Software	Computer on-line monitoring software package.	Software package that operates on Bently Nevada host. Interfaces to a TDe or TDxnet™ CP.

2. System Identification

This section should be used to help define and identify each of the four configurations of the 3300 Monitoring System Bently Nevada LLC supports. The configurations are defined by the rack (backplane version), Power Supply, System Monitor, and firmware installed in individual monitors. The four possible 3300 configurations are explained below.

Use **Table 2** on the next page to clarify exactly which 3300 configuration you may have.

2.1 Configuration Definitions

2.1.1 Original System

This is the first generation 3300 System. This system **may** have serial communication capability, but it predates and is **not** compatible with the internal data interfaces (TDe or SDI/DDI) and most recent external communication processors (SDIX/DDIX, TDIX and TDXnet™ CPs). The Original System can, however, communicate with a Digital Control System (DCS) or with DM2000 Software through a DDM, PDM, or TDM CP.

These systems can be upgraded to the Mixed System, TDe or SDI/DDI System configuration, depending on your interface requirements.

2.1.2 Mixed System

This is the Original System with a 3300/03-01 System Monitor that does **not** have internal SDI/DDI capabilities but can interface to a DDM, TDM, PDM CP. In order to interface to an SDIX/DDIX, TDIX or TDXnet™ CP, the firmware in each monitor **must** be SDI/DDI compatible.

NOTE: The System Monitor must be configured correctly with jumpers depending upon the external Communication Processor that is being used. The DDM, TDM, and PDM use a different static interface than the SDIX/DDIX, TDIX, and TDXnet™ CPs. Refer to the System Monitor Manual (BN Document 89604, table 1) for specific jumper configurations.

Table 3 in Section 2.4 lists the SDI/DDI compatible monitor firmware part numbers.

The Mixed System can be upgraded to an SDI/DDI System, by changing the backplane, power supply, and the firmware in each of the monitors.

2.1.3 SDI/DDI System

This generation of the 3300 System uses 3300/03 System Monitor. The System Monitor, Power Supply, and Backplane are all SDI/DDI-compatible, with the System Monitor configured with or without internal SDI/DDI communications and the firmware in each of the monitors is SDI/DDI compatible.

NOTE: The System Monitor must be configured correctly with jumpers depending upon the external Communication Processor that is being used. The DDM, TDM, and PDM use a different static interface than the SDIX/DDIX, TDIX, and TDxnet™ communication processors. Refer to the System Monitor Manual (BN Document 89604, table 1) for specific jumper configurations.

The SDI/DDI System is compatible with the following Bently Nevada Communications Processors and monitoring software packages: DDM CP, TDM CP, SDIX/DDIX CP, TDIX CP, TDxnet™ CP, DDM/TDM Software, DDM2/TDM2 Software, System 64 Software, and DM2000 Software.

2.1.4 TDe System

This generation of the 3300 System uses 3300/02 System Monitor. The Power Supply, Backplane and firmware in each of the monitors must be SDI/DDI compatible.

The TDe System is not compatible with any external Communications Processors as they are not required for TDe to directly interface to System 1® Software.

Table 2 Possible 3300 System Configurations				
Configuration	System Monitor	Rack (Backplane) ²	Power Supply ²	Monitor Firmware ¹
Original (old) System	3300/01-01 or 3300/01-02	3300/05 Option AA = 01 thru 17	3300/10 or /11 or /14 ³	Original firmware or SDI/DDI firmware
Mixed System	3300/03-01	3300/05 Option AA = 01 thru 17	3300/10 or /11 or /14 ³	Original firmware or SDI/DDI firmware
SDI/DDI system	3300/03-01, or 3300/03-02, or 3300/03-03	3300/05 Option AA = 21 thru 37	3300/12 or /14	SDI/DDI firmware
TDe system	3300/02	3300/05 Option AA = 21 thru 37	3300/12 or /14	SDI/DDI firmware
NOTES:				
1. See Table 3 in Section 2.4 for a list of SDI/DDI compatible firmware for each monitor. Some monitors were originally shipped with SDI/DDI compatible firmware.				
2. It is not possible to use the old backplane with the new power supplies or to use the new backplane with the old power supplies.				
3. If the 3300/14 DC Power Supply is to be used with the Original backplane, the original PIM MUST be used. 3300/14 is not compatible with 3300/01-02 System Monitors.				

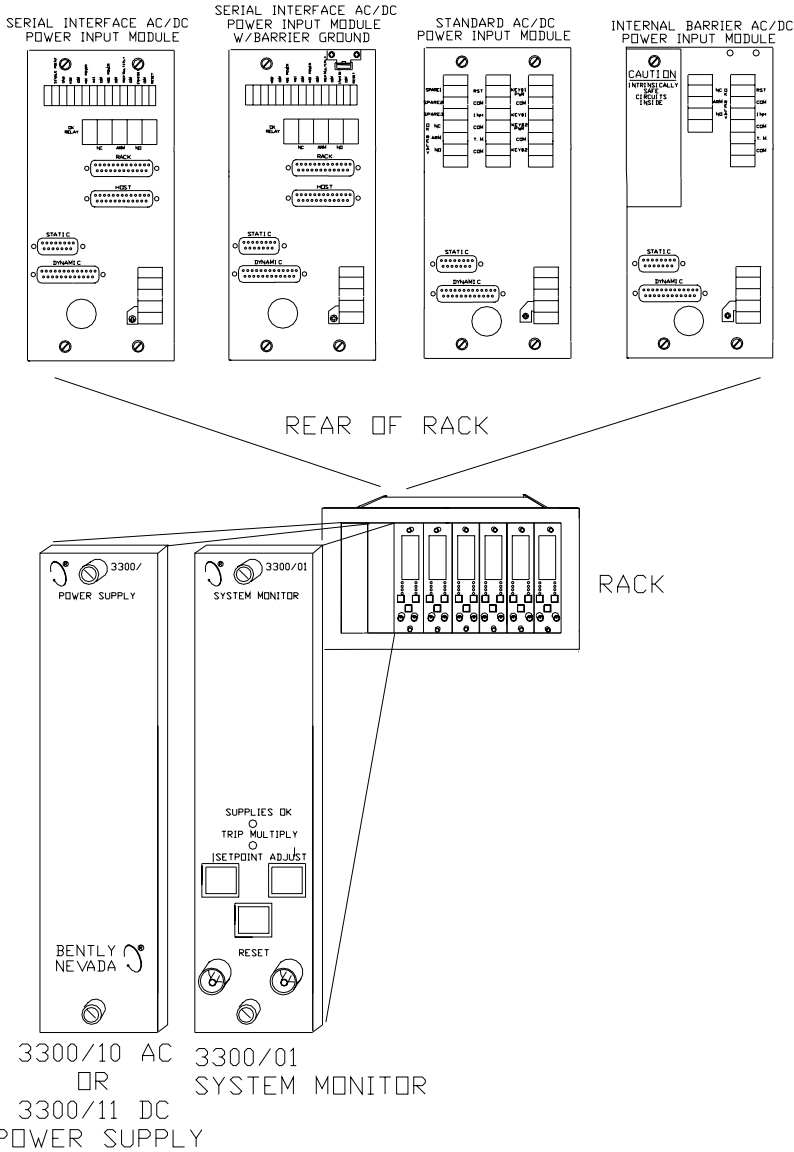
2.2 System Identification

The following sections discuss how to determine the configuration of your 3300 System. You may use the following steps as a guideline to identify your monitoring system.

- Examine the front panels of the System Monitor and Power Supply and check the Power Input Module on the back of the rack. Use the information in Sections 2.2.1, 2.2.2 and 2.2.3 to determine your system configuration.
- If there is any question as to the system configuration after completing step 1, use Section 2.3 to identify the backplane. The backplane determines whether the rack is an SDI/DDI System rack or an Original System rack.
Note: The new backplane cannot be used with the old power supplies and the old backplane cannot be used with the new power supplies. They BOTH must be updated at the same time.
- Use Section 2.4 to determine the firmware identity on individual 3300 monitors. The firmware in some early 3300 monitors is not compatible with newer generation data interfaces (SDIX/DDIX, TDIX, TDXnet™ communication processors or TDe). Similarly, some new multi-channel monitors are not compatible with older external Communications Processors. See Section 3 for compatibility information.

2.2.1 Original System

- Consists of the 3300/01-XX System Monitor, 3300/10 or /11 Power Supply and one of the Power Input Modules shown in **Figure 1**.



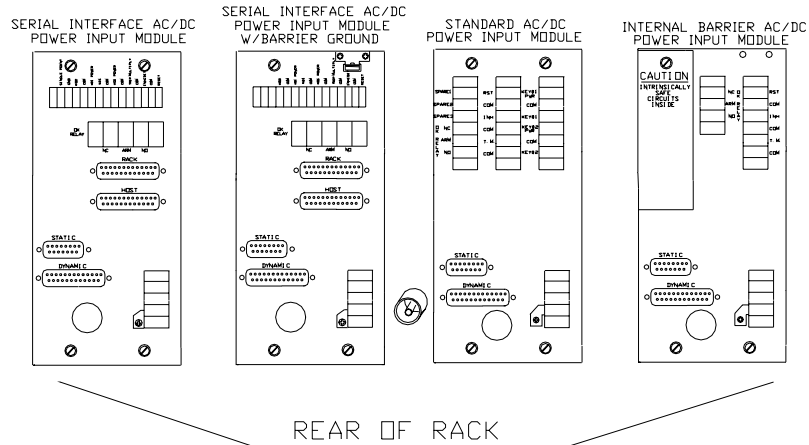
- If necessary, see Section 2.3.1 to identify an original backplane.
- See Appendix A for hardware upgrade kit part numbers and/or contact your Bently Nevada representative to upgrade a system.

Figure 1
Original System

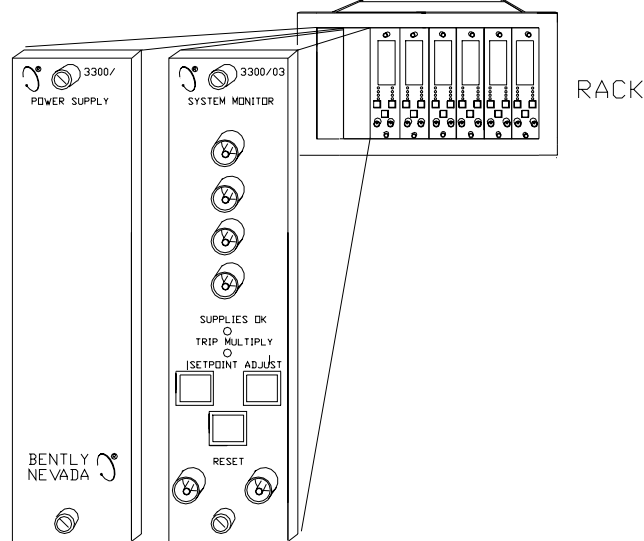
- See **Table 4** in Section 3.3 for information on compatibility with communication processors and software for this system configuration.

2.2.2 Mixed System

- Consists of an original system with a 3300/03-01 System Monitor, a 3300/10 or /11 or /14 Power Supply, an original backplane, and one of the original Power Input Modules shown in **Figure 2**.



- In this configuration the 3300/03-01 is a replacement for the 3300/01-01 System Monitor. Note that only two Keyphasor® transducers, Key Ø® 1 and Key Ø® 2 are available.



3300/10 AC POWER SUPPLY
 3300/03-01 SYSTEM MONITOR

- See **Appendix A** for the list of hardware upgrade kit part numbers and/or contact your Bently Nevada representative to upgrade a system.

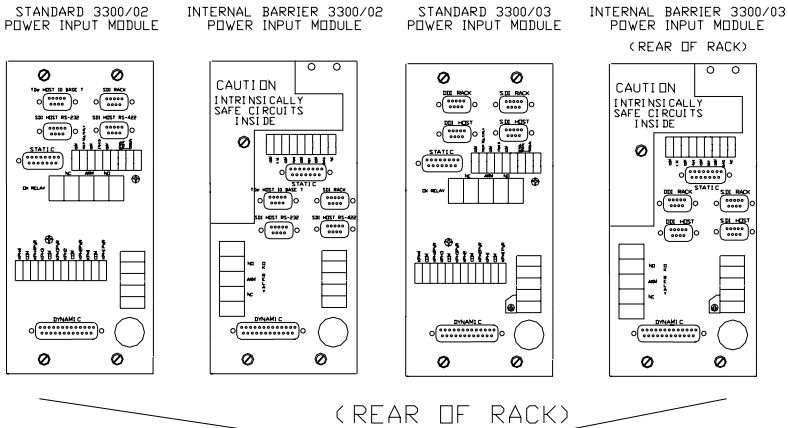
Figure 2

Mixed System

- See **Table 4** in Section 3.3 for information on compatibility with communications processors and software for this system configuration.

2.2.3 SDI/DDI or TDe System

- Consists of a 3300/03-01, -02, or -03 System Monitor, a 3300/12 or /14 Power Supply, a new backplane and one of the PIMs shown in **Figure 3**.



- See **Table 4** in Section 3.3 for information on compatibility with communication processors and software for these system configurations.

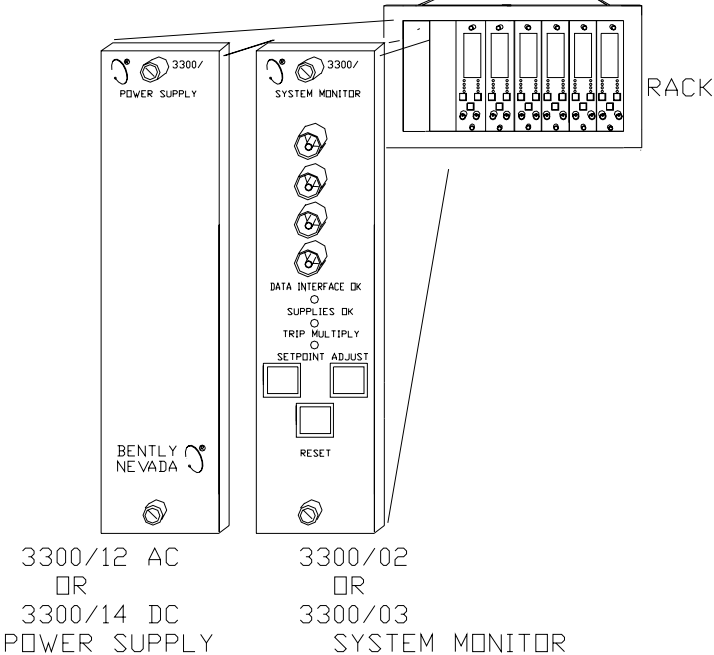
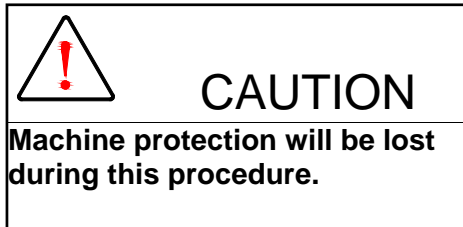


Figure 3
SDI/DDI or TDe System

2.3 Rack Identification

Use this section if you have not been able to determine the configuration using **Figures 1 through 3** in Section 2.2.

Use the following steps in this section to further assist in the identification:



Location of backplane shown with dashed lines.

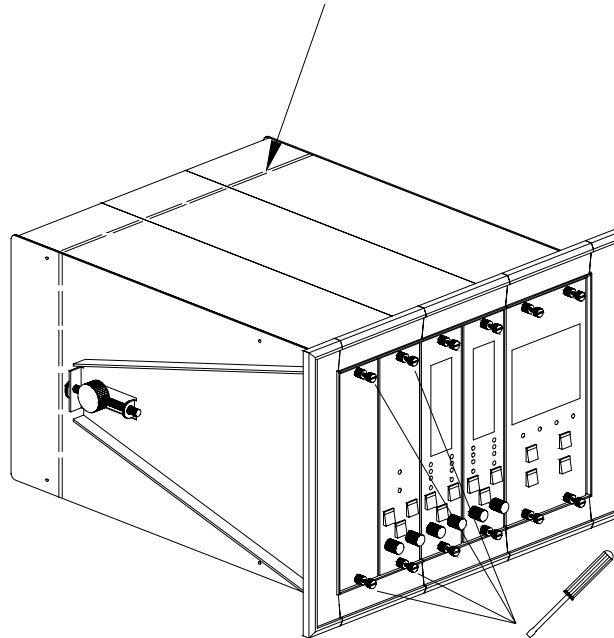
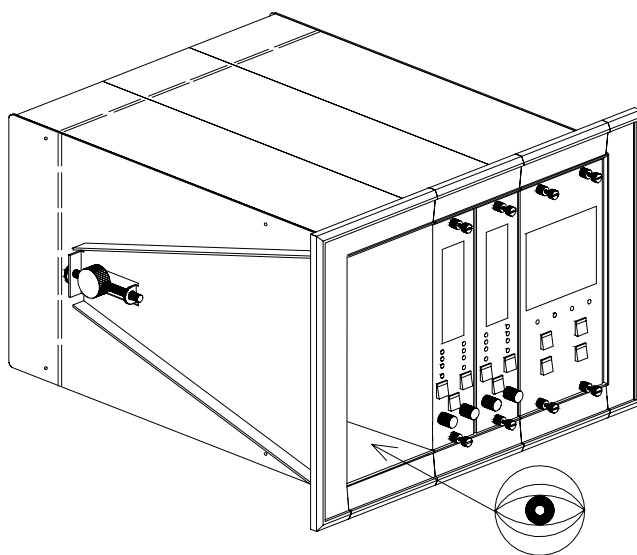


Figure 4
Full Rack

1. Disconnect power from the rack.
2. Remove the Power Supply and System Monitor and Power Input Module.



3. Observe the location and position of the connectors on the backplane behind the Power Supply and System Monitor rack slots. Use the front view of the backplane shown in **Figures 6, 7 and 8** to identify your backplane.

Figure 5
Rack without Power Supply and System Monitor

2.3.1 Original Backplane

Two versions of the backplane may be installed in an original system. Identifying features are shown in **Figures 6 and 7**, below.

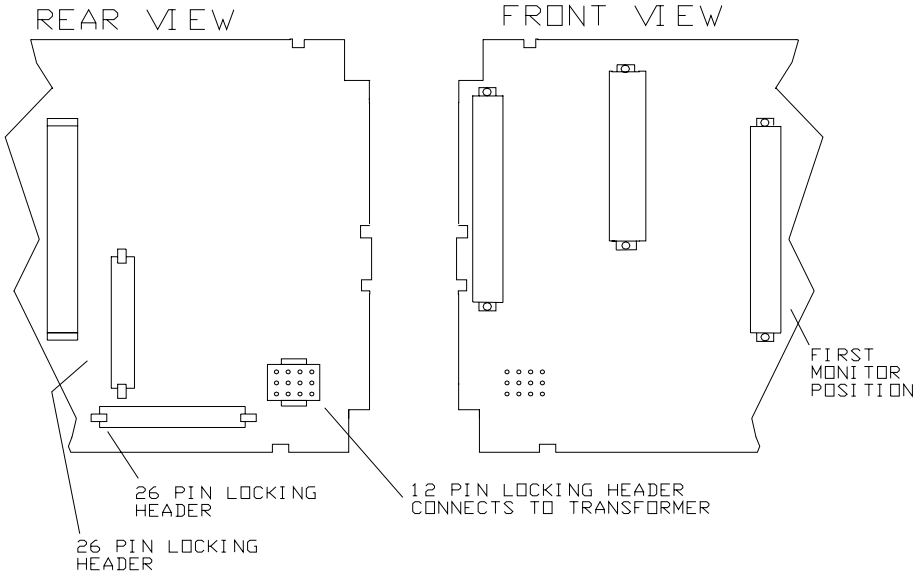


Figure 6
Original Backplane

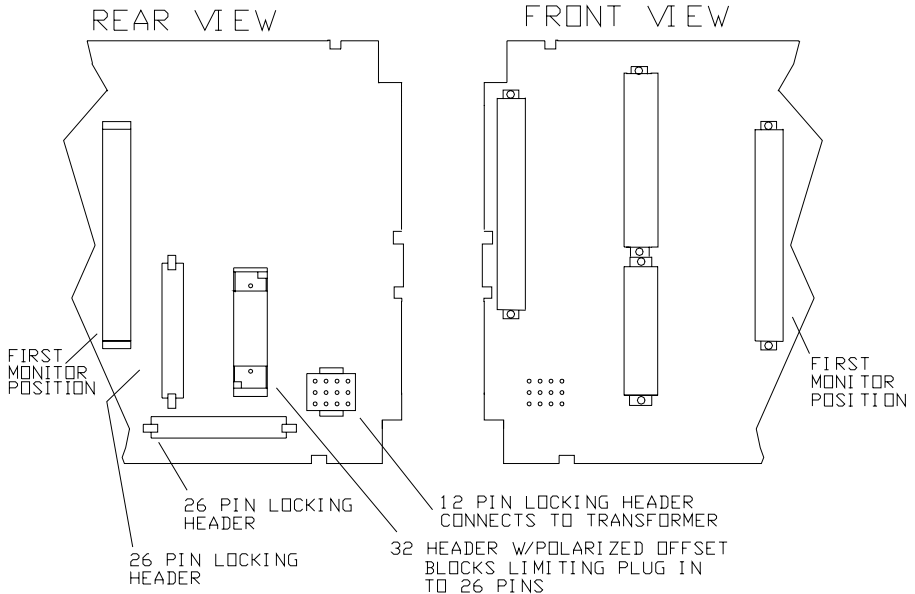


Figure 7
Original Backplane, w/Serial Interface

2.3.2 SDI/DDI or TDe Backplane

The SDI/DDI, TDe Backplane is shown in **Figure 8** below. Identifying features are the two 32-pin DIN connectors and 20-pin transformer connector.

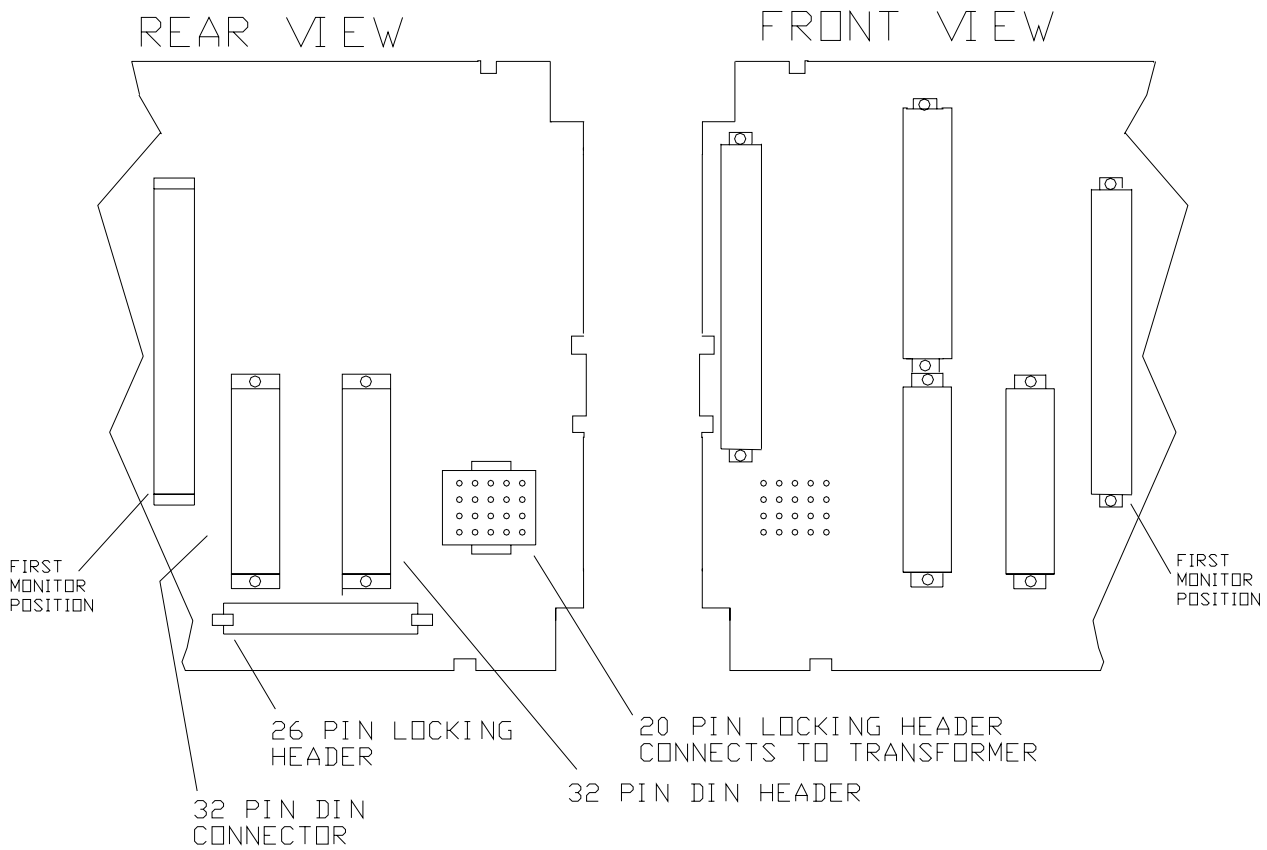


Figure 8
SDI/DDI or TDe Backplane

2.4 Monitor Firmware Identification

Part numbers for SDI/DDI monitor firmware are shown in **Table 3** below. Firmware resides in either an EPROM or in the microprocessor ROM.

- The 3300/90 Diagnostic Instrument and the 3300/60 Vector Monitor are not supported by SDI/DDI.
- The original firmware in the 3300/17, 3300/36, 3300/39, 3300/40, 3300/52, 3300/53, 3300/54, 3300/75, 3300/80, 3300/81, 3300/85, and 3300/95 monitors is SDI/DDI compatible.

<p align="center">Table 3 Firmware Part Numbers for Individual Monitors²</p>		
Monitor Number	SDI/DDI Compatible EPROM Part Number	SDI/DDI Compatible Single-chip Microprocessor Part Number
3300/15	N/A	104044-01
3300/16	N/A	00800119 or 143972-01
3300/20	N/A	00800120 or 161667-01
3300/25	N/A	104044-02
3300/26	N/A	104044-03
3300/30 ¹	89809-01	142591-01
3300/35 ¹	89818-01	142592-01
3300/45 ¹	89836-01	142783-01
3300/46 ¹	89845-01	142784-01
3300/47 ¹	89854-01	142785-01
3300/48 ¹	89863-01	142786-01
3300/50-XX	89872-01	104046-XX
3300/55	N/A	104044-04
3300/61	89890-01	N/A
3300/65 ¹	89899-01	142637-01
3300/70	N/A	104044-05
<p>ALL revisions of above mentioned EPROM and microprocessor numbers are SDI/DDI compatible. N/A = SDI/DDI compatible firmware not available in specified format. NOTE:</p> <ol style="list-style-type: none"> 1. These monitors were changed from EPROM to single-chip microprocessor formats. There were NO changes to the firmware in these monitors – only hardware changes. Either the EPROM or microprocessor listed are SDI/DDI compatible. 2. See Appendix B for the list of firmware upgrade kit part numbers for the individual monitors. 		

Use the following steps to check the firmware part number for the monitors in Table 3.

1. Disassemble the monitor by following the steps in the appropriate monitor manual. The microprocessor is located on the main circuit board that slides into the rack card guides. The EPROM is either on a small board, which plugs into the main board or is on the main board. The part number is marked on the EPROM or microprocessor.
2. Locate the EPROM or microprocessor on the circuit board by referring to the following sketches:

Firmware on the plug-in Memory Board

The following monitors have firmware installed in the EPROM located on a small plug in board (as shown in **Figure 9**):

- 3300/50-01
- 3300/50-02
- 3300/50-03

Only the part numbers in **Table 3** are SDI/DDI compatible. See Appendix B for a list of firmware upgrade kit Part Numbers.

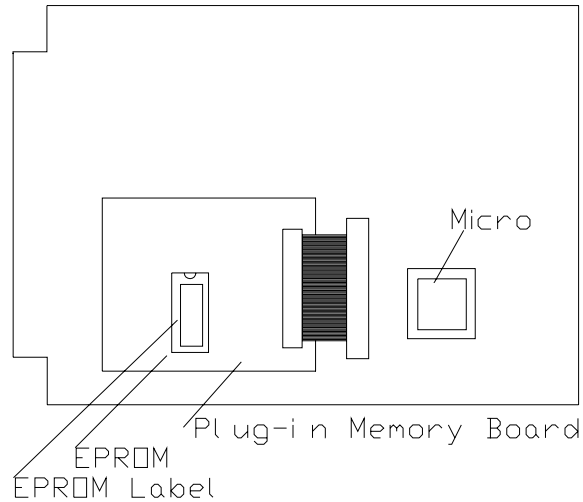


Figure 9
Expander Board Location

Firmware in the Microprocessor

These monitors have firmware installed in either the microprocessor ROM (a shown in **Figure 10**) or in the EPROM located on a small plug in board (as shown in **Figure 9**):

- | | |
|---------|---------|
| 3300/15 | 3300/45 |
| 3300/16 | 3300/46 |
| 3300/20 | 3300/47 |
| 3300/25 | 3300/48 |
| 3300/26 | 3300/55 |
| 3300/30 | 3300/65 |
| 3300/35 | 3300/70 |

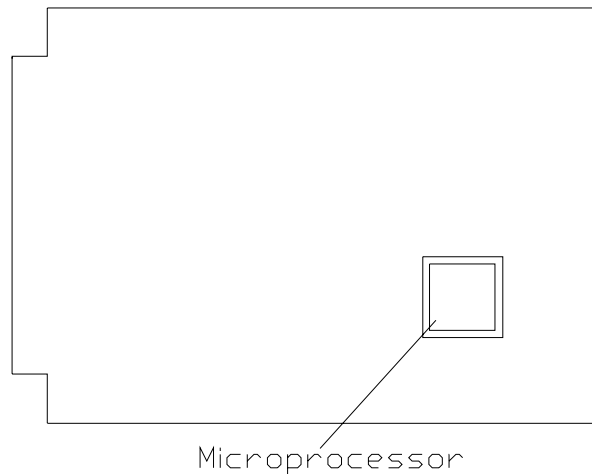


Figure 10
Microprocessor Location

Only the part numbers in **Table 3** are SDI/DDI compatible. See Appendix B for a list of firmware upgrade kit Part Numbers.

Firmware in the 3300/61 Dual Vector Monitor

The firmware for the 3300/61 Dual Vector Monitor is located in an EPROM on the main circuit board as shown in **Figure 11**.

Only the firmware in **Table 3** is SDI/DDI compatible. See Appendix B for the firmware upgrade kit Part Number.

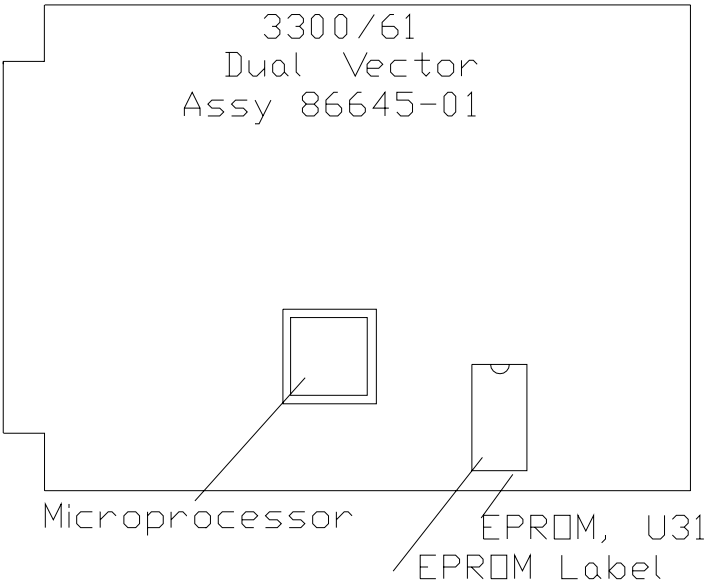


Figure 11

EPROM Location on 3300/61

- If the individual monitor firmware is not SDI/DDI-compatible and you plan to use either internal SDI/DDI communications (through a 3300/02, 3300/03-02 or -03 System Monitor), or an external SDI/DDI-compatible comm processor (SDIX/DDIX, TDIX, or TDXnet™ CP) with your 3300 system, then you must contact your Bently Nevada representative to order firmware upgrade kits.

3. System Compatibility

Use this section to determine which components will or will not work in your system. Refer to Section 2 and/or **Table 2** to determine which system configuration you have.

See **Table 4** for compatibility between each System Monitor and the different Communications Processors and Software.

See **Appendix A** for the list of hardware upgrade kit part numbers.

See **Appendix B** for a list of firmware upgrade kit part numbers for the different monitors.

3.1 Mixed System Compatibility Issues

- If a Mixed System is being used with a DDM, TDM or PDM CP, the firmware in the individual monitors does **not** need to be SDI/DDI compatible.
- In order for the Mixed System to be compatible with the external communication processors (SDIX/DDIX, TDIX or TDXnet™ CP) and DM2000 software, the firmware in all of the monitors must be SDI/DDI compatible. See **Table 3** for SDI/DDI compatible firmware.

3.2 Additional Compatibility Issues

3.2.1 Monitors

- The original firmware in the 3300/17, 3300/36, 3300/39, 3300/40, 3300/52, 3300/53, 3300/54, 3300/75, 3300/80, 3300/81, 3300/85, and 3300/95 monitors is SDI/DDI compatible.
- The 3300/75, /80 and /81 monitors support SDI(X)/DDI(X), TDIX, and TDXnet™ CPs only.
- The 3300/75, /80 and /81 monitors are compatible with only the 3300/01-01, 3300/02 and 3300/03-XX System Monitors.
- The 3300/90 Diagnostic Instrument and the 3300/60 Vector Monitor are not supported by SDI/DDI.

3.2.2 Communications Processors

If a TDM communications processor is on the same communications chain with a TDIX or TDXnet™ communication processor, and the TDM firmware is Rev C or earlier, the TDM firmware will need to be upgraded. Contact your Bently Nevada representative to order a firmware upgrade kit for your TDM communications processor.

4. Appendix A

4.1 Hardware Upgrade Kit Part Numbers

Monitor	Hardware Upgrade Kit Part Number
Original or Mixed System to SDI/DDI or TDe System	104002
3300/03 Basic to SDI System Monitor	143121 (-01 option)
3300/03 SDI to SDI/DDI System Monitor	143121 (-02 option)
3300/03 Basic to SDI/DDI System Monitor	143121 (-03 option)

5. Appendix B

5.1 Firmware Upgrade Kit Part Numbers

To upgrade to an SDI/DDI compatible monitor

Monitor or Communication Processor Part Number	Firmware Upgrade Kit Part Number
3300/15 Dual Vibration Monitor	104535-01
3300/16 Dual Vibration w/Gap Monitor	104535-02
3300/20 Dual Thrust Position Monitor	104535-03
3300/25 Dual Accelerometer Monitor	104535-04
3300/26 Dual Accelerometer RMS Monitor	104535-05
3300/30 Six-channel Thermocouple Input Temperature Monitor	104535-06
3300/35 Six-channel RTD Input Temperature Monitor	104535-07
3300/45 Dual Differential Expansion Monitor	104535-08
3300/46 Ramp Differential Expansion Monitor	104535-09
3300/47 Complementary Input Differential Expansion Monitor	104535-10
3300/48 Case Expansion Monitor	104535-11
3300/50-01 Dual Setpoint Tachometer	104535-12
3300/50-02 Zero Speed Tachometer	104535-17
3300/50-03 Rotor Acceleration Tachometer	104535-18
3300/55 Dual Velocity Monitor	104535-13
3300/61 Dual Vector Monitor	104535-14
3300/65 Dual Probe Monitor	104535-15
3300/70 Dual Valve Position Indicator	104535-16

Note: The original firmware in the 3300/17, 3300/36, 3300/39, 3300/40, 3300/52, 3300/53, 3300/54, 3300/75, 3300/80, 3300/81, 3300/85, and 3300/95 monitors is SDI/DDI compatible.

Artisan Technology Group is an independent supplier of quality pre-owned equipment

Gold-standard solutions

Extend the life of your critical industrial, commercial, and military systems with our superior service and support.

We buy equipment

Planning to upgrade your current equipment? Have surplus equipment taking up shelf space? We'll give it a new home.

Learn more!

Visit us at artisanng.com for more info on price quotes, drivers, technical specifications, manuals, and documentation.

Artisan Scientific Corporation dba Artisan Technology Group is not an affiliate, representative, or authorized distributor for any manufacturer listed herein.

We're here to make your life easier. How can we help you today?

(217) 352-9330 | sales@artisanng.com | artisanng.com

